



M series

97 ▼ 121 ▼ 145 ▼ 3100 ▼ 4100



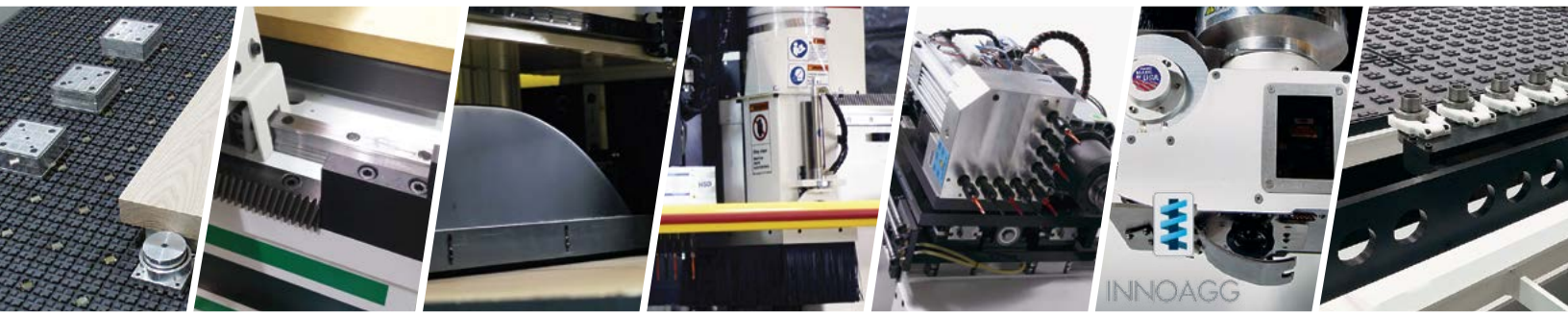
The **M-Series** may be the smallest moving gantry CNC router in the C.R. Onsrud line-up, but don't be fooled into thinking it's any less of a workhorse than bigger machines in our product line. C.R. Onsrud incorporates the same detailed engineering, workmanship and quality of materials into every machine we manufacture – no matter how small or large. The M-Series CNC router boasts rigid frame construction, highly responsive drive mechanisms, and many more of the top-end features you'd expect to find on our bigger models.



C.R. ONSRUD
AMERICAN-MADE CNC MACHINERY

You need CNC machines with the speed, accuracy, reliability, durability and flexibility to grow your business. The M-Series delivers that and more.

Real. American. Originals.



97M

Table

Overall

	Inches	Metric		Inches	Metric
X	97"	2464mm	L	179"	4547mm
Y	49"	1245mm	W	100"	2540mm
Z	9"	229mm	H	82"	2083mm

121M

Table

Overall

	Inches	Metric		Inches	Metric
X	121"	3073mm	L	231"	5867mm
Y	61"	1549mm	W	133"	3378mm
Z	9"	229mm	H	82"	2083mm

145M

Table

Overall

	Inches	Metric		Inches	Metric
X	145"	3683mm	L	229"	5817mm
Y	61"	1549mm	W	112"	2845mm
Z	9"	229mm	H	82"	2083mm

3100M

Table

Overall

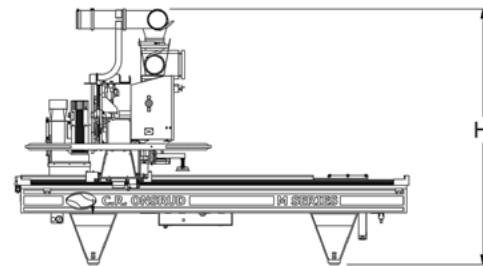
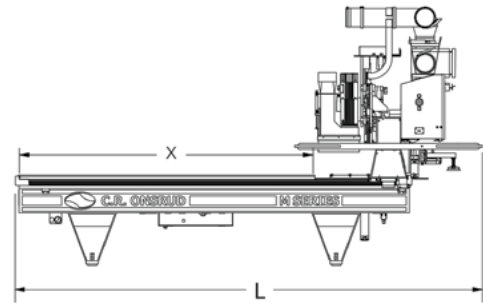
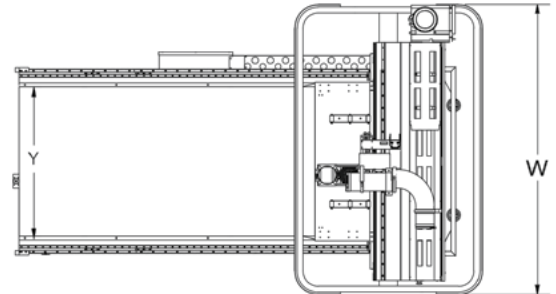
	Inches	Metric		Inches	Metric
X	122"	3099mm	L	204"	5181mm
Y	82"	2083mm	W	133"	3378mm
Z	9"	229mm	H	82"	2083mm

4100M

Table

Overall

	Inches	Metric		Inches	Metric
X	161"	4089mm	L	251"	6375mm
Y	82"	2083mm	W	133"	3378mm
Z	9"	229mm	H	82"	2083mm



M-Series Features:

	Standard	Optional
Spindle (S6):	12HP / 9kW	N/A
RPM:	24,000	N/A
Control:	FANUC 0i	Osai Top 5, B&R
Tool Management:	10-Pos. Rack (97M) 12-Pos. Rack (other)	Hide-Away ATC N/A
Material Control:	Vacuum Holding	Mechanical
Material Handling:	Manual	Automatic Infeed / Outfeed

Additional Items:	Standard	Optional
	Labeling	Drill Block (9,14)
	C-Axis	Aggregate Capable
	Robotics Integration	Auto Tool Measurement
	Gantry Shroud	Air Blast / Cold Air Blast
	(MQL) Minimum Quantity Lubrication	



All features are subject to change.

Find Your Next CNC Machine @ www.cronsrud.com

120 Technology Drive • Troutman, North Carolina 28166 • 704.508.7000

C.R. Onsrud is a proud American manufacturer which designs, engineers and builds tailor-made CNC machinery