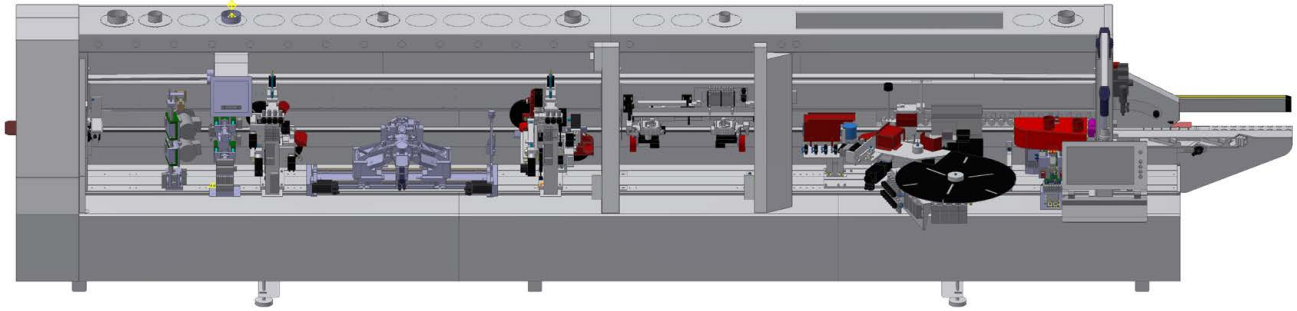


SIDE VIEW



TECHNICAL DATA

MACHINE

Feed Speed	19 - 25 m/min (62 - 82 ft/min)
Connected Load [Europe]	21 kW/60 A
Compressed Air Connection	7 Bar (approx. 100 PSI)
Dust Air Connection	approx. 2x \varnothing 80 mm (3 1/8") approx. 2x \varnothing 120 mm (4 3/4") approx. 1x \varnothing 140 mm (5 1/2")
Dust Extraction Requirements [extraction speed: 28 m/s static negative pressure: 2,480 Pa]	4.900 m ³ /h 173,042 ft ³ /h
Total weight	approx. 7.200 kg 15,870 lbs
Sound Level Operation	without processing < 85 dBA
Machine Length	approx. 9.160 mm (30')

PANEL

Panel Thickness	Min. 8mm/Max. 60 mm (5/16"/ 23/8")
Panel Width	Min. 65 mm (29/16")
Panel Length	Min. 150 mm (6")

EDGING MATERIAL*

Edging Height	Min. 14 mm/Max. 65 mm (9/16"/ 29/16")
Edging Thickness	Min. 0,3 mm/Max. 3 mm (1/64" / 1/8")
Edging Cross Section	Max. 120 mm ²

(*) with optional direct IMALUX laser system the shown technical data can vary



IMA KLESSMANN GMBH | Industriestraße 3 | 32312 Lübbecke | Germany
T +49 5741 331-0 | F +49 5741 4201 | contact@ima.de | www.ima.de

NOVIMAT COMPACT R3 EN
01/2019



Subject to technical modifications and amendments and to further developments. The offer, respectively the order confirmation is relevant in either case!
The picture of the machine could have been taken without complete protection devices.
The protection device is part of the scope delivery. Photos could also be options, not being part of the scope of delivery.